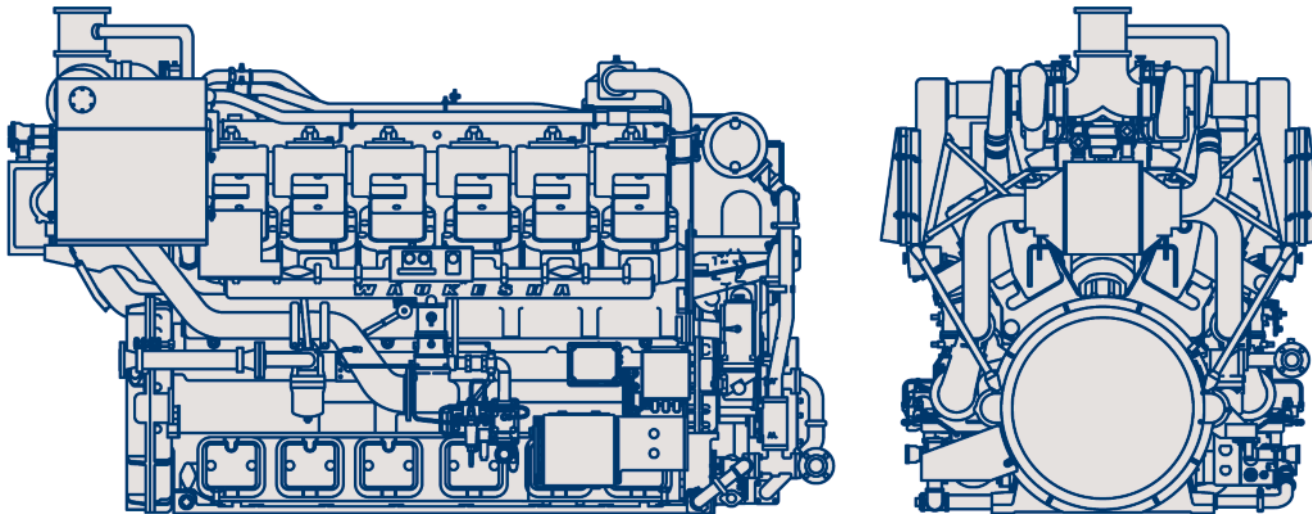


# GOOD EXCHANGE RATE

## ECOS<sup>®</sup> Exchange Engine<sup>\*</sup>



The **ECOS<sup>®</sup>** exchange engine is a readily available and economical alternative compared to the investment in a new CHP unit.

By using our turnkey **ECOS<sup>®</sup>** exchange engine of different brands, we ensure short engine down-times and high operation performance and reliability.

After installation and start-up, our know-how will also be provided for qualified service support and spare parts supply.

Please contact us and convince yourself of our capabilities.

It is our pleasure to help you.

*We are on the move*



# Der ECOS<sup>®</sup> Exchange Engine<sup>\*</sup>

## Overview of our services:

### ① Services

The engine will be dismantled completely, all parts will be analysed separately and according to the result they will be refurbished or re-used. Consumables will be – as far as required – replaced by new parts of manufacturer quality.

#### • Standard service for engine overhaul

- Crankcase
- Crankshaft- cylinder liners
- Pistons
- Connecting rods
- Camshafts
- Tappets
- Oil pump
- Oil cooler
- Piston cooling
- Gearbox
- Vibration damper

Replacement of all gaskets and washers, shaft sealing rings and o-ring seals.

### ② Optional services

#### • Standard service for overhauling components

- Throttle valve and governor lever
- Mixture cooler / charge air cooler
- Carburetor / injection pump
- Turbocharger

#### • Exchange engine assembly/ mounting of components

- Leakage test
- Preservation of the engine

#### • Preparation of a complete documentation

#### • Components

#### Exchange part or overhaul

- Cylinder heads
- Water pump
- Starter

#### • Exchange engine painted as requested by the customer or with the original color

### ③ Optional services on site

#### • Reinstallation, reconnection, handing over

#### Reinstallation

- Transport
- Unloading
- Emplacement
- Placing and mounting of the exchange engine
- Leakage test

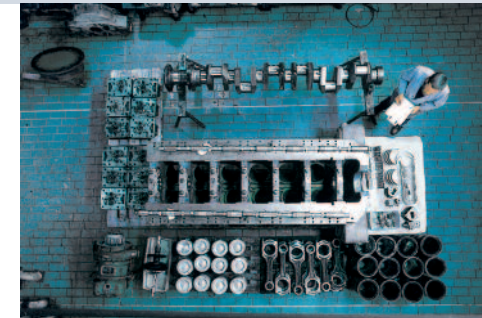
#### Check and readjustment of the engine and power unit parameters

#### Reconnection

- Adjusting of the ignition system/ fuel injection system
- Engine test run on site in three load levels
- Documented inspection of the exhaust data

#### Handing over

- Final consultation
- Certificate of acceptance (start-up report by our supervisor)



\* Condition is the return of an used and identical part that can be refurbished – subject to the deposit system according to our current price list.